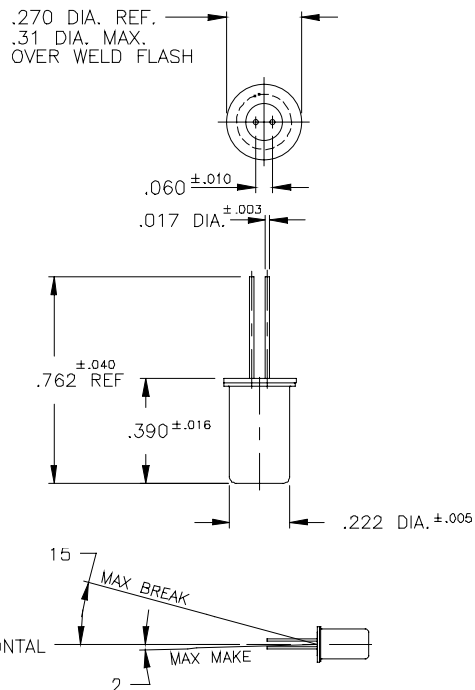


# Part No: 4859 – A1/2 Series Tilt Switch - Mercury



- Features:**
- \* Un-Insulated
  - \* Form: NO/NC/SPST/Mount dependent
  - \* Angles Referenced from Horizontal
  - \* Dual Electrode
  - \* Hermetically Sealed
  - \* Small Package Size
  - \* Narrow Included Angle
  - \* High Current Capability
  - \* Low Contact Resistance
  - \* Long Life



Drawing dimensions in inches.

Tilt switches "make" when the electrode is tilted below horizontal and "break" when tilted above the horizontal. Total travel from "make" to "break" is the "Maximum included angle" shown below. The component to which the switch is attached must have a total tilt angle greater than the "Maximum included angle" for proper operation.

Must Make / Break Angle * :	- 2° / +15°
Maximum included Angle:	17°
	* Make/break angles are electrode + (above) / - (below) 0° horizontal reference
<b>Switch Ratings:</b>	
Max Switching Voltage:	5V
Max Switching Current:	0.25A
Initial Contact Resistance (Max):	600 milli Ohms
Stand Off Voltage (contact to contact):	1500V
Operating Temperature:	-38° to 220°F / -38° to 105°C
Storage Temperature:	-40° to 356°F / -40° to 180° C
Typical number of operations at specified load:	10,000,000
G-Force Activation G-Level/Range:	N/A
<b>Dimensions:</b>	
Weight per 100pcs. Lbs / Kgs:	0.33 / 0.15
Body Length (less leads). Inches / Millimeters:	0.39 / 9.9
Maximum Diameter. Inches / Millimeters:	0.31 / 7.9
<b>Materials:</b>	
Lead Wire Type:	N/A
Lead wire length/skive/termination:	N/A
Finish:	Nickel plated



© American Electronic Components Inc 2006

**American Electronic Components Inc.,**  
 1101 Lafayette Street, Elkhart, Indiana. USA  
 Tel: +1-574-295-6330 Fax: +1-574-293-8013  
 Email: [sales@aecensors.com](mailto:sales@aecensors.com)  
<http://www.aecensors.com>