

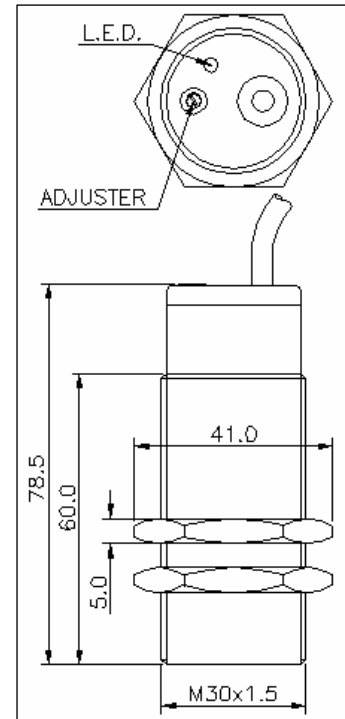
# Capacitive Proximity Sensors Analog Output

# DURAKOOL

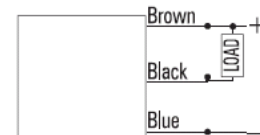
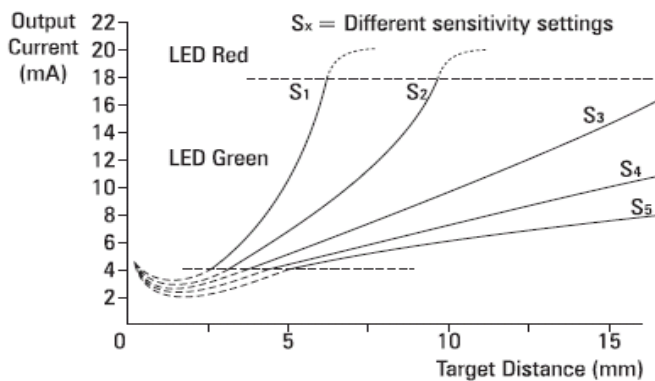
- Features:
- \* 3 Wire M30 Threaded
  - \* 3 Wire Analog 4 to 20mA
  - \* 3m Cable Type



Function		Part Number
3 Wire Analogue Sensor		<b>DKCIC020V-DSN-AN</b>
Sensing Range	mm	4 – 20
Supply Voltage	V	8 – 30 DC
Output Current	mA	4 – 20
Maximum rated load	$\Omega$	300
Temperature Drift -10 to +60°C	%	$\pm 15$
-25 to +70°C	%	$\pm 15$
Repeatability	%	$\pm 0.05$
Housing Size and Protection		M30 x 1.5mm / IP65
Housing Material		PBT
Connection		3m 3w (pvc) cable
Operating Temperature	°C	-35 to 85
LED Function Display		Green=Normal, Red=Outside Limits
Short Circuit Protection		Yes
Reverse Polarity Protection		Yes



Drawing dimensions in millimeters



© American Electronic Components Inc 2007

American Electronic Components Inc.,  
1101 Lafayette Street, Elkhart, Indiana, USA  
Tel: +1-574-295-6330 Fax: +1-574-293-8013  
Email: [sales@aecensors.com](mailto:sales@aecensors.com)  
<http://www.aecensors.com>