

- 30C 60FLA Definite purpose contactor
- Robust 2 & 3 pole contactor
- Arc covers as standard
- Industry standard mounting
- UL File No: E61703



Contacts	
Contact arrangement	2 Form X (DPST-NO-DM) 3 Form X (3PST-NO-DM)
Contact material	AgCdO, AgSnOInO
General Specifications	
Initial operate time	ms 30
Release time (typical)	ms 15
Bounce time	ms ≤ 10
Arc cover	standard
Insulation	
Insulation system	UL Class B 130°C
Initial dielectric strength	coil to contact 2200VAC pole to pole 2200VAC between open contacts 2200VAC
Environmental	
Ambient temperature	operating -40 to +65°C
	2 Pole 3 Pole
Weight	approx. 1.75lbs 2lbs
Terminations	
Coil terminals	2 - 3 pole 0.250° QC + 6-32 screw (dual 0.25° QC optional) per terminal
Power terminals	screw ¼-20 screw (with or without sems plate) box lug 14-2 AWG
Recommended tightening torque	¼ - 20 40 in.lbs (4.53 Nm) box lug 50 in.lbs (5.65 Nm)
Wire size	¼ - 20 16-8AWG* box lug 14-2AWG
	* Must use ring terminals

Ordering Code

3 0 C 6 0 - 1 0 2 3 - 1 - -

Series	Coil code: See table 2
Contact ratings	60: 60 FLA
Contact material	10: AgCdO (standard) 70: AgSnOInO
Contact arrangement	22: DPST-NO 23: 3PST-NO
Environmental protection	T L Terminals Terminals
1: No overall cover - IP00	
Mounting & terminations	1: 10-32 Combi philips screw, quad QC blades 2: Same as 1 with sems screw and pressure plate 3: 14-4AWG Box lug, quad QC blades 4: 14-4AWG Box lug, dual QC blades (40FLA std.) 5: 10-32 Combi philips screw, dual QC blades (20-30FLA std.) 6: 14-2AWG Box lug, QC blades (50-60FLA std.) 7: 14-1AWG Box lug, QC blades (75-150FLA std.)
Reserved for customer specific requirements	001: Dual 0.25° QC blades for coil terminations 002: 999 - Optional customer specific number

Contact Data

Table 1

Model	Full load amps (FLA)	Poles	Line voltage (VAC)	Locked rotor amps (LRA)	Resistive amps	Max. HP		
						Voltage	1 Phase	3 Phase
30C60-1022	60	2	120	360	75	120	5	
			240 / 277	360		240	10	25
			480	300		480	7.5	30
			600	240		600		30
30C60-1023	60	3	120	360	75	120	5	
			240 / 277	360		240	10	25
			480	300		480	7.5	30
			600	240		600		30

FLA Rating tested for 30,000 cycles of endurance at 240 / 480 / 600 VAC per UL508

Resistive heat rating tested for 250,000 cycles at 277 VAC

LRA Rating tested for 600 cycles of locked rotor endurance per UL508

Coil Data

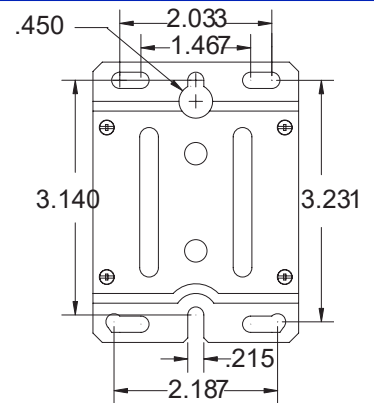
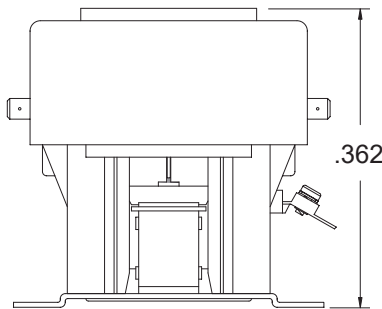
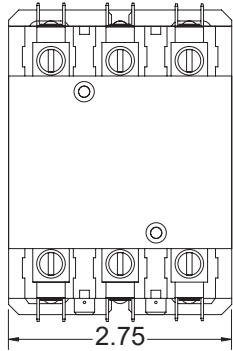
Table 2

Voltage: 24-277VAC 50/60Hz. See coil data below. (480VAC available but not UL approved). Insulation Class: UL Class B (130°C)

Coil Code	Rated voltage 50/60Hz	Coil resistance (Ω)	Coil operating voltage (VAC)			Minimum inrush		Nominal coil power	
			Must release	Must operate	Max. voltage	VA @ 50Hz	VA @ 60Hz	VA @ 50Hz	VA @ 60Hz
30C60-1022 & 30C60-1023									
5024	24	2.4	6	18	30	138	130	18	13
5120	120	45	20	88	132				
5230	208 / 240	180	40	177	264				
5277	277	280	65	220	300				
5480	480	852	150	384	520				

Dimensions (Inches)

Fig. 1



2 Pole same as 3 pole minus centre terminals

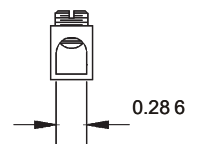
Power Terminations (Dimensions Inches)

Fig. 2

Termination Codes: 1 & 5
Standard on 20-30FLA
10-32 combination phillips/slotted
and 5/16 hex head screw with 12 washer



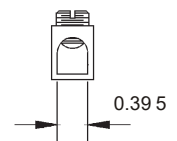
Termination Code: 6
Standard for 50 & 60FLA
Box Lug
14-2 AWG (Cu/Al)



Termination Code: 2
Optional on 20-40FLA
10-32 sems screw with pressure plate



Termination Code: 7
Standard for 75 & 90FLA
Box Lug
14-1 AWG (Cu/Al)



Termination Codes: 3 & 4
Box Lug
14-4 AWG (Cu/Al)

