

- 30C 90FLA Definite purpose contactor
- Robust 2 & 3 pole contactor
- Arc covers as standard
- Industry standard mounting
- UL File No: E61703



Contacts

| | |
|---------------------|-----------------------|
| Contact arrangement | 2 Form X (2PST-NO-DM) |
| | 3 Form X (3PST-NO-DM) |
| Contact material | AgCdO, AgSnInO |

General Specifications

| | | |
|------------------------|----|----------|
| Initial operate time | ms | 40 |
| Release time (typical) | ms | 25 |
| Bounce time | ms | ≤ 15 |
| Arc cover | | standard |

Insulation

| | | |
|-----------------------------|-----------------------|------------------|
| Insulation system | | UL Class B 130°C |
| Initial dielectric strength | coil to contact | 2200VAC |
| | pole to pole | 2200VAC |
| | between open contacts | 2200VAC |

Environmental

| | | |
|---------------------|-----------|--------------|
| Ambient temperature | operating | -40 to +65°C |
| Weight | approx. | 4lb |

Terminations

| | | |
|-------------------------------|------------|---|
| Coil terminals | 2 - 3 pole | 0.250° QC + 6-32 screw (dual 0.25" QC optional) |
| | | per terminal |
| Power terminals | box lug | 14-1/0 AWG |
| Recommended tightening torque | box lug | 50 in.lbs (5.65 Nm) |
| Wire size | box lug | 14-1/0 AWG |
| | | |
| | | |
| | | |
| | | |
| | | |
| | | |
| | | |
| | | |
| | | |
| | | |
| | | |
| | | |
| | | |
| | | |
| | | |
| | | |

Ordering Code

| | | | |
|--|---|-------------------|-------------|
| 3 0 C 9 0 - 1 0 2 3 - 1 - - | | | |
| Series | | Coil code: | See table 2 |
| Contact ratings | 90: 90 FLA | | |
| Contact material | 10: AgCdO (standard) 70: AgSnInO | | |
| Contact arrangement | 22: DPST-NO 23: 3PST-NO | | |
| Environmental protection | | T | L |
| 1: No overall cover - IP00 | Terminals | Terminals | |
| Mounting & terminations | 1: 10-32 Combi philips screw, quad QC blades 2: Same as 1 with sems screw and pressure plate 3: 14-4AWG Box lug, quad QC blades 4: 14-4AWG Box lug, dual QC blades (40FLA std.) 5: 10-32 Combi philips screw, dual QC blades (20-30FLA std.) 6: 14-2AWG Box lug, QC blades (50-60FLA std.) 7: 14-1AWG Box lug, QC blades (75-150FLA std.) | | |
| Reserved for customer specific requirements | 001: Dual 0.25° QC blades for coil terminations 002: 999 - Optional customer specific number | | |

Contact Data

Table 1

| Model | Full load amps (FLA) | Poles | Line voltage (VAC) | Locked rotor amps (LRA) | Resistive amps | Max. HP | | |
|------------|----------------------|-------|--------------------|-------------------------|----------------|---------|---------|---------|
| | | | | | | Voltage | 1 Phase | 3 Phase |
| 30C90-1022 | 90 | 2 | 120 | 540 | 120 | 120 | 7.5 | |
| | | | 240 / 277 | 540 | | 240 | 20 | 30 |
| | | | 480 | 450 | | 480 | | 50 |
| | | | 600 | 360 | | 600 | | 50 |
| 30C90-1023 | 90 | 3 | 120 | 540 | 120 | 120 | 7.5 | |
| | | | 240 / 277 | 540 | | 240 | 20 | 30 |
| | | | 480 | 450 | | 480 | | 50 |
| | | | 600 | 360 | | 600 | | 50 |

FLA Rating tested for 30,000 cycles of endurance at 240 / 480 / 600 VAC per UL508

Resistive heat rating tested for 250,000 cycles at 277 VAC

LRA Rating tested for 600 cycles of locked rotor endurance per UL508

Coil Data

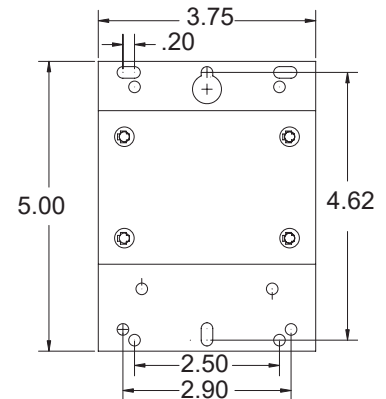
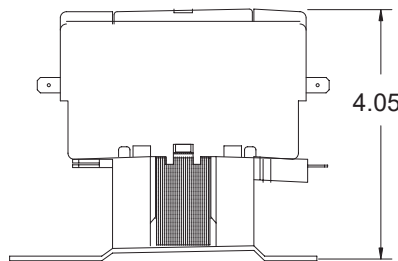
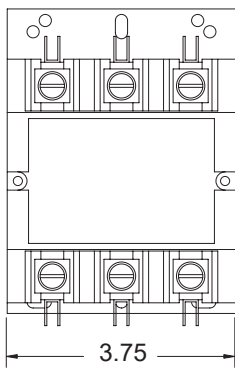
Table 2

Voltage: 24-277VAC 50/60Hz. See coil data below. (480VAC available but not UL approved). Insulation Class: UL Class B (130°C)

| Coil Code | Rated voltage 50/60Hz | Coil resistance (Ω) | Coil operating voltage (VAC) | | | Minimum inrush | | Nominal coil power | |
|------------------------------------|-----------------------|---------------------|------------------------------|--------------|--------------|----------------|-----------|--------------------|-----------|
| | | | Must release | Must operate | Max. voltage | VA @ 50Hz | VA @ 60Hz | VA @ 50Hz | VA @ 60Hz |
| 30C90-1022 & 30C90-1023 | | | | | | | | | |
| 5024 | 24 | 0.63 | 6 | 18 | 26.4 | 285 | 240 | 42 | 27 |
| 5120 | 120 | 15.6 | 20 | 88 | 132 | | | | |
| 5230 | 208 / 240 | 63.5 | 40 | 177 | 264 | | | | |
| 5277 | 277 | 84 | 65 | 220 | 305 | | | | |
| 5480 | 480 | 255 | 150 | 384 | 528 | | | | |

Dimensions (Inches)

Fig. 1



2 Pole same as 3 pole minus centre terminals

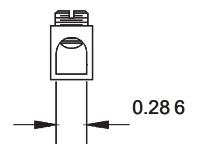
Power Terminations (Dimensions Inches)

Fig. 2

Termination Codes: 1 & 5
Standard on 20-30FLA
10-32 combination phillips/slotted
and 5/16 hex head screw with 12 washer



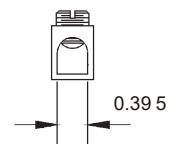
Termination Code: 6
Standard for 50 & 60FLA
Box Lug
14-2 AWG (Cu/Al)



Termination Code: 2
Optional on 20-40FLA
10-32 sems screw with pressure plate



Termination Code: 7
Standard for 75 & 90FLA
Box Lug
14-1 AWG (Cu/Al)



Termination Codes: 3 & 4
Box Lug
14-4 AWG (Cu/Al)

