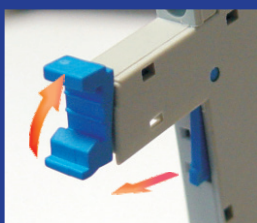


* Standard is light gray for socket, other colours to special order only.

- Miniature slim DIN rail power relay
- LED indication
- Screw or spring clamp terminals
- Interface - up to 6A /250VAC rating
or
- SSR - max. 2A/250VAC rating, zero cross over
- Optional accessories

With Electro Mechanical Relay		With Solid State Relay (SSR)	
Contact arrangement	SPDT (1 C/O)	Contact arrangement	SPST-NO (1NO)
Contact material	AgSnO ₂		Zero Cross-over with Triac
Max. switching voltage	AC/DC 440VAC / 125VDC	Max switching voltage	48 - 280VAC (47-63Hz)
Min. switching current / voltage	5mA / 5VDC	Max. transient voltage	600V _{pk}
Rated load	Resistive 6A 250VAC/30VDC	Rated load	Resistive 2A 250VAC
Max. switching power	1500VA / 180W	Max. surge current (10ms)	80A
Max. inrush current	15A for 2.5ms	Max. surge current (10ms)	1.2V _{rms}
Initial resistance	100mΩ, max. at 1A/6VDC	Max. off state leakage current	1.5mA
Coil		Control Input	
Rated voltage	AC or DC 12 ~ 24V, 48 ~ 60V, 110 ~ 125V, 220 ~ 240	Rated voltage	AC/DC 24V, 48V, 60V, 110 - 125V, 220 - 240V
	DC only 6 ~ 24V DC	Nominal power	150mW
Operating range of supply voltage	See table 1	Operating range of supply voltage	0.8 ~ 1.25U _n (see table 1)
Insulation		Insulation	
Insulation resistance	≤ 1000MΩ at 500VDC, 50%RH	Insulation resistance	≤ 1000MΩ at 500VDC, 50%RH
Dielectric strength	coil to contact 4000Vrms, 1min contact to contact 1000Vrms, 1min	Dielectric strength	control to output 2500Vrms, 1min open output 1000Vrms, 1min
General Data		General Data	
Operating time	typ. ≤ 7ms	Operating time	typ. half cycle + 1ms
Release time	typ. ≤ 15ms	Release time	typ. half cycle + 1ms
Electrical life (full rated load @ 85°C)	ops. ≥3 x 10 ⁴ (NO) / ≥1 x 10 ⁴ (NC)	Environmental	
Mechanical life	ops. ≥ 1 x 10 ⁷	Certifications	CE & RoHs
Environmental		Ambient temperature	operating -30 to 70°C storage -40 to +85°C
Certifications	UL E305752, CE & RoHs	Shock resistance	functional / destructive 49ms ² / 980ms ²
Ambient temperature	operating -40 to 70°C (coil codes 1, 2 & 5) -40 to 55°C (coil codes 3 & 4) storage -40 to +85°C	Vibration resistance	10...55Hz, 1.5mm DA
Shock resistance	functional / destructive 49ms ² / 980ms ²	Humidity	5% to 85% RH
Vibration resistance	10...55Hz, 1mm DA	Dimensions	L x W x H 88.3 x 6.3 x 70.9 (See fig. 1)
Humidity	5% to 85% RH	Weight	approx 28g (socket including relay)
Dimensions	L x W x H 88.3 x 6.3 x 70.9 (See fig. 1)	Interface or Solid State Relay Ordering Code	
Weight	approx. 28g (socket including relay)	<p style="text-align: center;">D 4 1 F - 1 Z - C 2 - 1</p> <div style="display: flex; justify-content: space-around;"> <div style="border: 1px solid black; padding: 5px;"> <p>Relay & Socket</p> <p>1Z: SPDT (1 Form Z) - Interface 1T: 1 NO (Triac) - Solid State</p> </div> <div style="border: 1px solid black; padding: 5px;"> <p>Coil code:</p> <p>See table 1</p> </div> </div> <div style="border: 1px solid black; padding: 5px; margin-top: 10px;"> <p>Socket Style</p> <p>C2: Screw terminals C4: Spring clamp terminals</p> </div>	

Moveable Ejector
for easy replacement



Green LED Diode
for operation status



Coil Data

Table 1

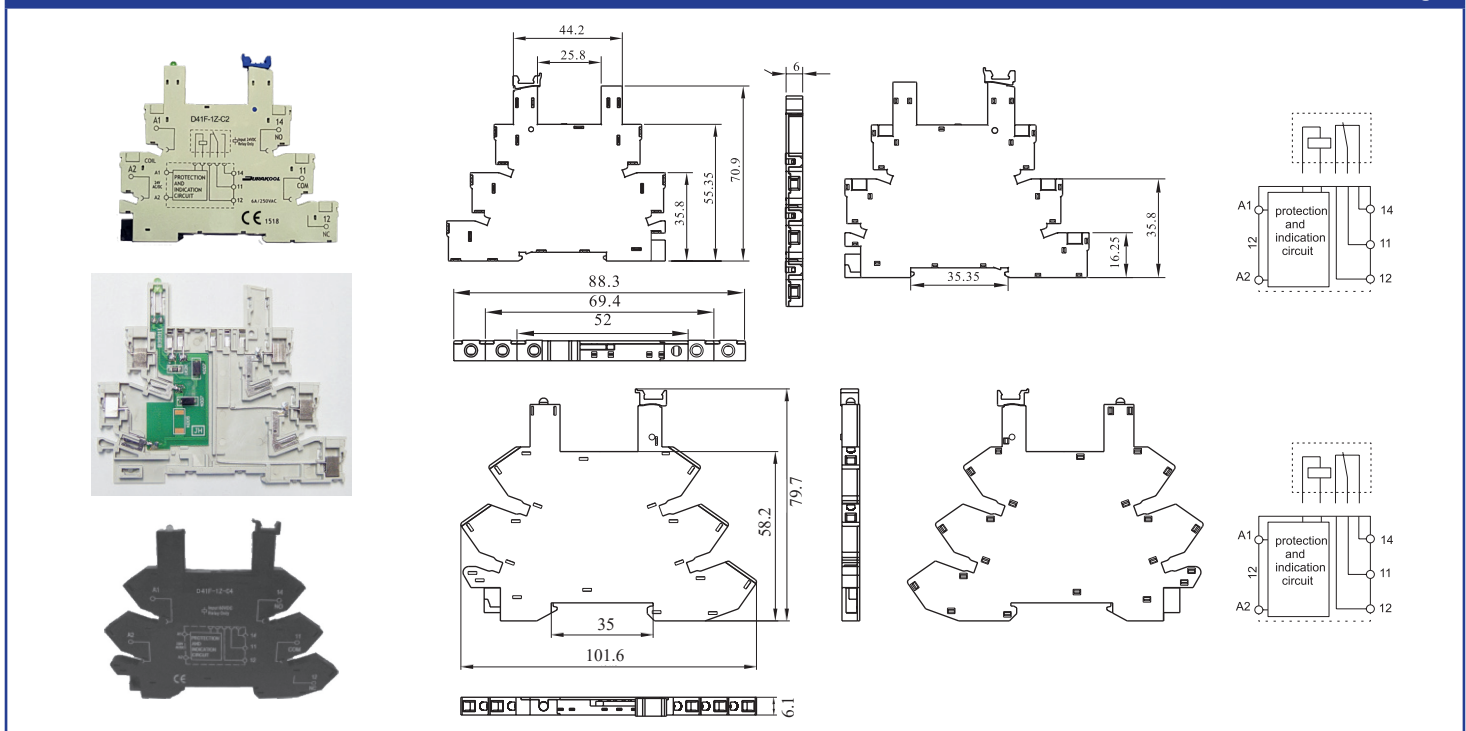
Coil code	Nominal voltage	Relay coil voltage * (VDC)	SSR Control voltage ** (VDC)	Screw torque (D41F-1Z-C2 only)	Stripped wire length	Input polarity
1	24VAC/DC	24	12	0.5Nm	7mm	None
2	48 ~ 60VAC/DC	48	24			
3	110 ~ 125VAC/DC	60	60			
4	220 ~ 230VAC	60	60			
5*	6 ~ 24VDC	5	-			A1 + / A2 -

Operating relays below or above the nominal voltage may prove detrimental to performance.

* Only applicable with electro mechanical relay. ** Only applicable with solid state relay.

Overall Dimensions mm

Fig. 1



Accessory - D41F-AR Adaptor

Fig. 2

Technical data

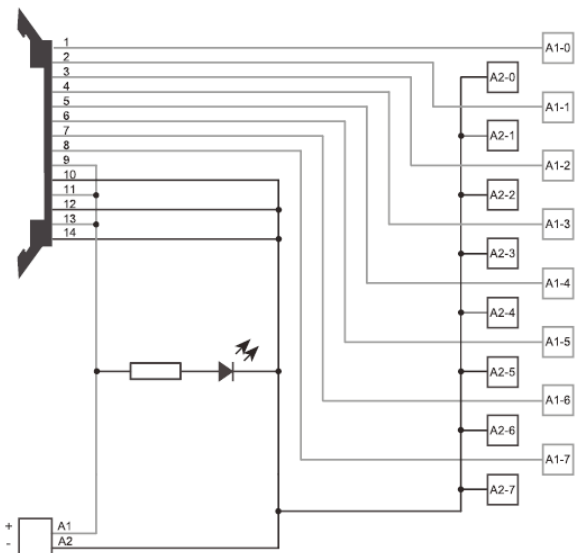
Rated current (per signal path)	1A
Minimum required supply power	3W
Nominal voltage (U _N)	24V DC
Operating range	(0.8~1.1)U _N
Control logic	Positive switching (to A)
Power supply status indication	Green LED
Ambient temperature range	-40°C~+70°C

Terminals for 24V control logic

Type of connector	14 pole, according to IEC 60603-13
-------------------	------------------------------------

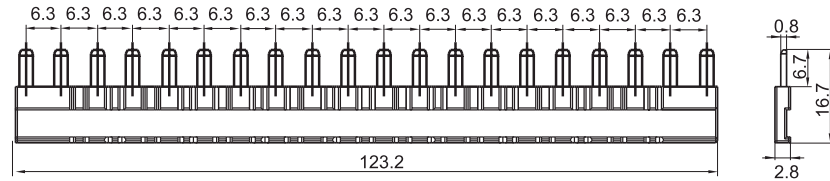
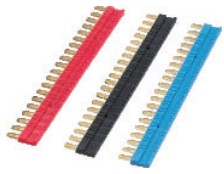
Terminals for 24V Power supply

Wire strip length	9.5mm	
Screw torque	0.5Nm	
Max. wire size	solid wire	1x4/2x1.5 mm ² 1x12/2x16 AWG
	stranded wire	1x2.5/2x1.5 mm ² 1x14/2x16 AWG



Accessory - D41F-J-Blue / Red / Black Jumper

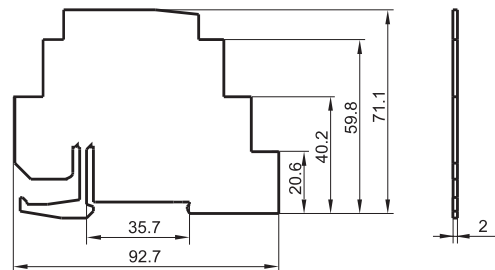
Fig. 3



Ordering Code: D41F-J - Red or D41F-J- Blue or D41F-J-Black

Accessory - D41F-S Separator

Fig. 4



Accessory - D41F-M White Marker Tab

Accessory - D41F-M1 White Marker Tab (bulk for engraving)

Fig. 5

