

- HVDC 30A at 450VDC
- PCB mounting
- Max. switching current = 500A
- Contacts sealed in inert gas
- Magnet arc blowout
- Pre-charge relay



Contacts

Contact arrangement	SPST-NO-DM	
Contact material	T2+Ag	
Max. switching voltage	AC/DC	900VDC
Rated load (resistive, $\cos \phi=1$)	DC1	30A 450VDC
Max. continuous thermal current	30s	90A
	10s	150A
Max switching current	1 time only	500A 350VDC
Initial contact resistance	max.	1m Ω (at 1A)

Coil

Rated voltage (see page 2)	DC	6...72VDC
Rated power consumption	approx.	3.2W @ 12VDC

Insulation

Insulation resistance	initial	100M Ω (min.)
	life end	50M Ω (min.)
Dielectric strength	coil to contact	2500Vrms / 1mA / 1 min (at sea level)
	contact to contact	2500Vrms / 1mA / 1 min (at sea level)

General Data

Operate time at 20°C	max.	25ms
Bounce time at 20°C	max.	7ms
Release time at 20°C	max.	12ms
Electrical life	ops.	Voltage and current dependent - see fig. 1
Mechanical life	ops.	1 x 10 ⁶

Environmental

Environmental sealing	Contacts & coils inside a hermetically sealed can	
Ambient temperature	operating	-40 to +85°C
Relative humidity	5 to 85%RH	
Shock resistance	20G peak, 11ms ½ sine	
Vibration resistance	20G sine peak (80 to 2000Hz)	
Dimensions	L x W x H	49.5 x 51 x 37.7mm approx. (above PCB)
Weight	approx.	150g

Ordering Code

D E V R 0 3 - 5 0 6 1 - S 8 - 1 0 1 2 - P C B

Series

Coil code:
See table 1

Contact material

50: T2+Ag

Contact arrangement

61: SPST-NO

81: SPST-NO (no polarity)

Body style

S8: M4 Female power terminals

Mounting & terminations

PCB: PCB mounting, coil & power contacts

Coil Data

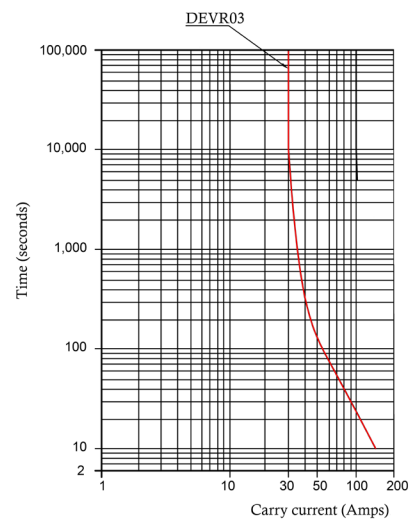
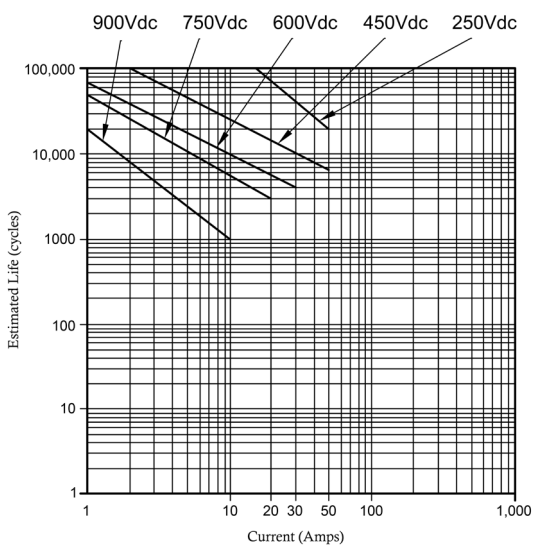
Table 1

Coil code	Nominal voltage (VDC)	Must operate voltage max. (VDC@ 20°C)	Maximum allowable voltage (VDC)	Must release voltage min. (VDC)	Coil resistance $\Omega \pm 5\%$ (at 20°C)	Coil Current (mA)	Coil Power (W @ 20°C)
1006	6	4.5	6.6	0.6	11	545.5	3.3
1012	12	9.0	13.2	1.2	45	266.7	3.2
1024	24	18.0	26.4	2.4	167	143.7	3.45
1028	28	21.0	30.8	2.8	240	116.7	3.3
1036	36	27.0	39.6	3.6	400	90.0	3.2
1048	48	36.0	52.8	4.8	730	65.8	3.2
1072	72	54.0	79.2	7.2	1600	45.0	3.2

Electrical Performance

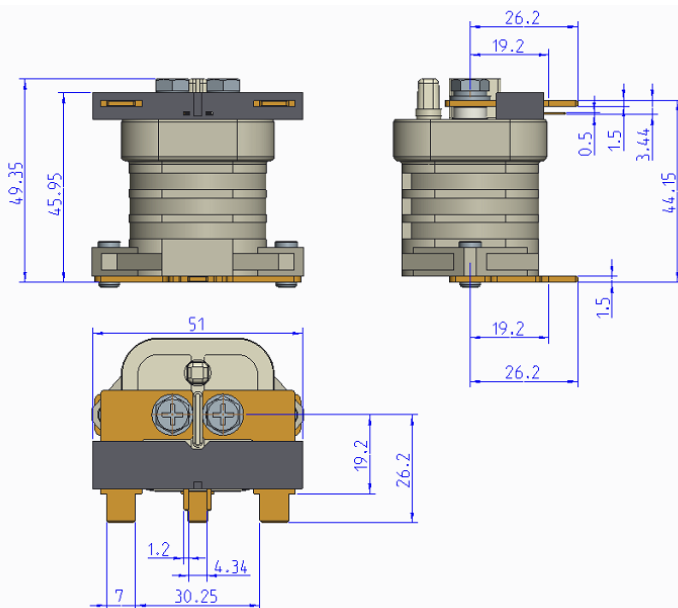
Fig. 1

Estimated Life - polarized contacts



Dimensions

Fig. 3

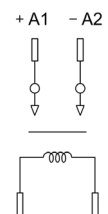


- Notes:
- Note coil is not polarized.
 - Polarity sensitive type: Observe contact polarity as indicated. Contactor life will be severely reduced if incorrectly connected.
 - Nominal dimensions in mm.
 - Tolerances (nominal), <10mm: ± 0.3 mm, 10 ~ 50mm: ± 0.6 mm, >50mm: ± 1.0 mm.

Circuit Diagram

Fig. 2

Polarized - Power Terminals



Coil is not polarized