



- HVDC 200A continuous
- Max. switching current = 1000A
- Contacts sealed in inert gas
- Magnet arc blowout
- Auxiliary contact option
- Female M5 power terminals

UK CA CE ROHS Compliant ✓

Contacts

Contact arrangement	SPST-NO-DM	
Contact material	T2+Ag	
Max. switching voltage	AC/DC	900VDC
Rated load	DC1	150A 450VDC (break only above 150A)
Max. continuous thermal current	600s	250A (with 100mm ² conductors)
	60s	400A (with 100mm ² conductors)
Max switching current	1 time only	1000A 450VDC
Initial contact resistance	max.	1mΩ (at 1A)
Auxiliary contact (when fitted)	arrangement	SPST-NO (1 Form A)
	max. current	2A @ 30VDC / 3A @ 125VAC
	min. current	100mA @ 8V

Coil

Nominal voltage (see page 2)	DC	6 ... 72VDC
Rated power consumption	5.76W @ 12VDC	

Insulation

Insulation resistance	initial	100MΩ (min.)
	life end	50MΩ (min.)
Dielectric strength	coil to contact	2500Vrms / 1mA / 1 min (at sea level)
	contact to contact	2500Vrms / 1mA / 1 min (at sea level)

General Data

Operate / bounce time at 20°C	max.	25ms / 7ms
Release time	max.	12ms
Electrical life	ops.	Voltage and current dependent - see fig. 1
Mechanical life	ops.	1 x 10 ⁶

Environmental

Environmental sealing	IP rating	IP67
Ambient temperature	operating	-40 to +85°C
Relative humidity	5 to 85%RH	
Shock resistance	20G peak, 11ms 1/2 sine	
Vibration resistance	20G sine peak (80 to 2000Hz)	
Dimensions	L x W x H	53.8 x 69.4 (over flanges) x 66.7 mm (max.)
Weight	approx.	355g±5g

Ordering Code

D E V R 1 5 - 5 0 8 1 - S 8 - 1 0 1 2 - R 1

Series

Coil code:

See table 1

Contact material

50: T2+Ag

Contact arrangement

81: SPST-NO*

91: SPST-NO* + Auxiliary

* Not polarized see page 2

Mounting & terminations

Bottom flange mounting base

S8: M6 Female power terminals

Coil & auxiliary contacts by flying leads

Coil wire length

R: 14.96" (380mm)

T: 5.9" (150mm)

Coil wire & auxiliary contact termination

1: None

2: Yazaki 7282-5558-10 Male

Other terminations to special order

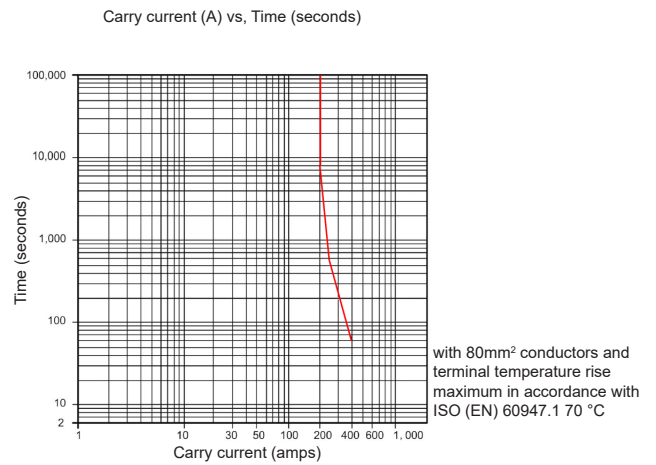
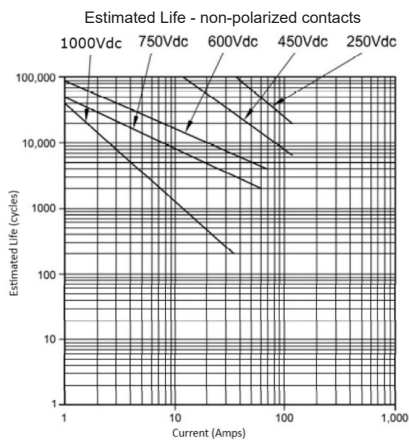
Coil Data

Table 1

Coil code	Nominal voltage (VDC)	Must operate voltage max. (VDC)	Max. allowable voltage (VDC)	Must release voltage min. (VDC)	Coil resistance $\Omega \pm 5\%$ (at 20°C)	Coil Current (mA)	Coil Power (W @ 20°C)
1006	6	4.5	6.6	0.6	6.3	952.4	5.71
1012	12	9.0	13.2	1.2	25.0	480.0	5.76
1024	24	18.0	26.4	2.4	120.0	200.0	4.80
1028	28	21.0	30.8	2.8	134.0	209.0	5.86
1036	36	27.0	39.6	3.6	230.0	156.5	5.63
1048	48	36.0	52.8	4.8	410.0	117.1	5.97
1072	72	54.0	79.2	7.2	870.0	82.8	5.96

Electrical Performance

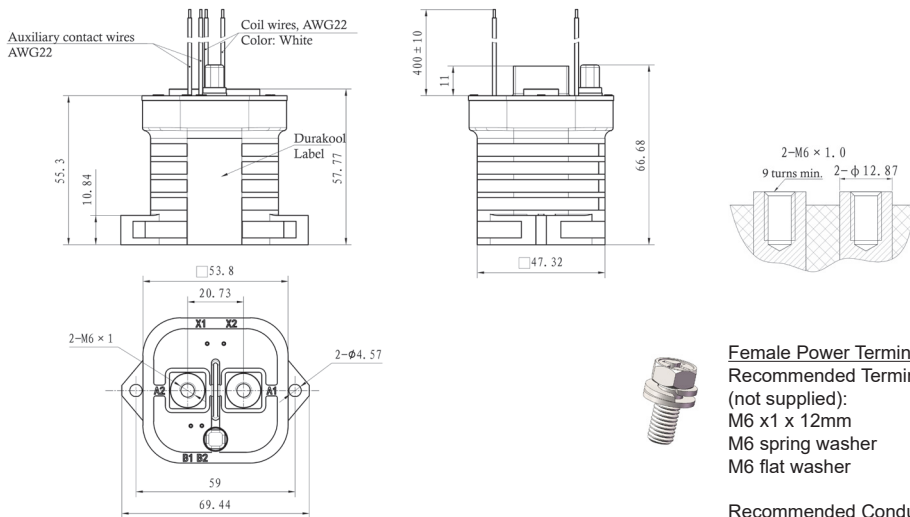
Fig. 1



Estimates are based on tests and extrapolated data.
The user is advised to confirm the performance in their application.

Dimensions (mm)

Fig. 2



Female Power Terminals
Recommended Terminal Screws (not supplied):
M6 x 1 x 12mm
M6 spring washer
M6 flat washer

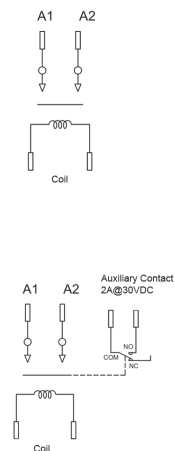
Recommended Conductor
80mm².
Preferred conductor: 100mm²

Torque settings
Terminals: 4.5 - 6.5Nm
Base Mounting: 1.8 to 2.5Nm

- Notes:
- Note coil is not polarized
 - Contacts are not polarized
 - Nominal dimensions in mm.
 - Tolerances (nominal), <10mm: ± 0.3 mm, 10 ~ 50mm: ± 0.6 mm, >50mm: ± 1.0 mm.
 - Coil wire length and terminations can be customized upon request.

Circuit Diagram

Fig. 3



Connections are not polarized