



- High load voltage - up to 480VAC
- 4 - 32VDC or 90 - 250VAC Control voltage
- Three phase, zero crossover switching
- LED Control input indicator
- Integrated heatsink
- DIN Rail or chassis mounting



### Output (Load)

Load type	3PST-NO (3 N/O) Resistive	
Load current	10A, 15A	
Load switching voltage	AC $V_{rms}$	40 ~ 480V
Maximum peak voltage	AC $V_{pt}$	900V
Minimum load current	0.1A	
Inrush current (max.)	10ms	10A: 120A / 15A: 160A
$I^2t$	$A^2s$	10A: 72 / 15A: 128
Switch type	Zero crossover (consult factory for Random)	

### Input (control)

Control voltage	VDC	DC: 4 ~ 32VDC / AC: 90 ~ 250VAC
Control current	mA	<25
Turn-on voltage (min.)	$V_{min}$	DC: 3.5VDC / AC: 80VAC
Turn-on voltage (max.)	$V_{max}$	DC: 35VDC / AC: 280VAC
Turn-off voltage	V	DC: 2VDC / AC: 40VAC

### Environmental

Dimensions	L x W x H	100 x 110 x 80mm
Weight	approx.	672g

#### Note:

All SSR's should be protected by fast acting "semiconductor" fuses.

Circuit breakers and normal fuses are not quick enough to protect the SSR in the event of a current surge or spike"

It is recommended that load power is kept to no more than 70% of the SSR's rating to avoid unexpected issues in the event of variations in the load and ambient temperature" These SSR's are designed to be used with a suitable heat sink.

Transfer Pads and Heatsinks for Durakool SSR relays can be found in Durakool's Solid State Relay (SSR) catalogue.

### Ordering Code

S D A 3 Z - 1 0 K - D

#### Series

#### Switching

Z: Zero Crossover

#### Load current

10: 10A

15: 15A

#### Load voltage

K: 40 to 480VAC

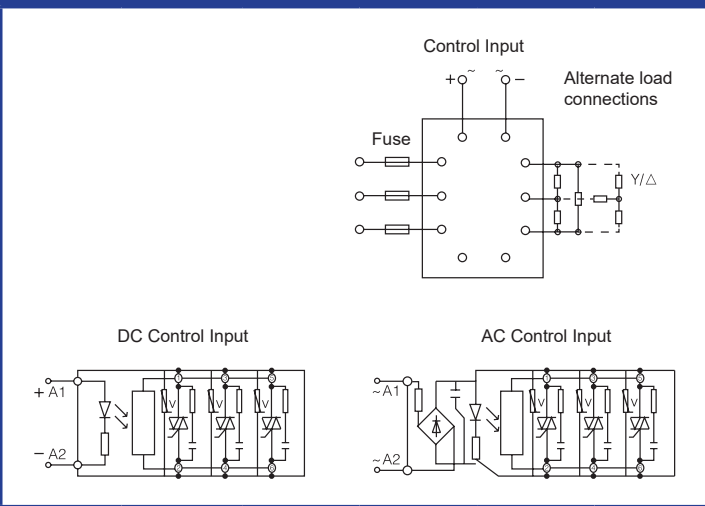
#### Control voltage input

A: 90 ~ 250VAC

D: 4 ~ 32VDC

### Schematic

Fig. 1



### Dimensions mm

Fig. 2

