

General Description

The TMR2901 linear sensor utilizes a unique push-pull Wheatstone bridge composed of four TMR sensor elements. The TMR2901 is available in a 3 mm X 3 mm X 0.75 mm DFN8 package and 6mm X 5mm X 1.5mm SOP8 package.

Features and Benefits

- Tunneling Magneto resistance (TMR) Technology
- High Sensitivity (25mV/V/Oe)
- Very Low Noise Spectral Density (2nT/√Hz @1Hz)
- Low Power Consumption
- Excellent Thermal Stability
- Very Low Hysteresis
- Compatible with wide Range of Supply Voltages
- NO need for set/reset calibration

Applications

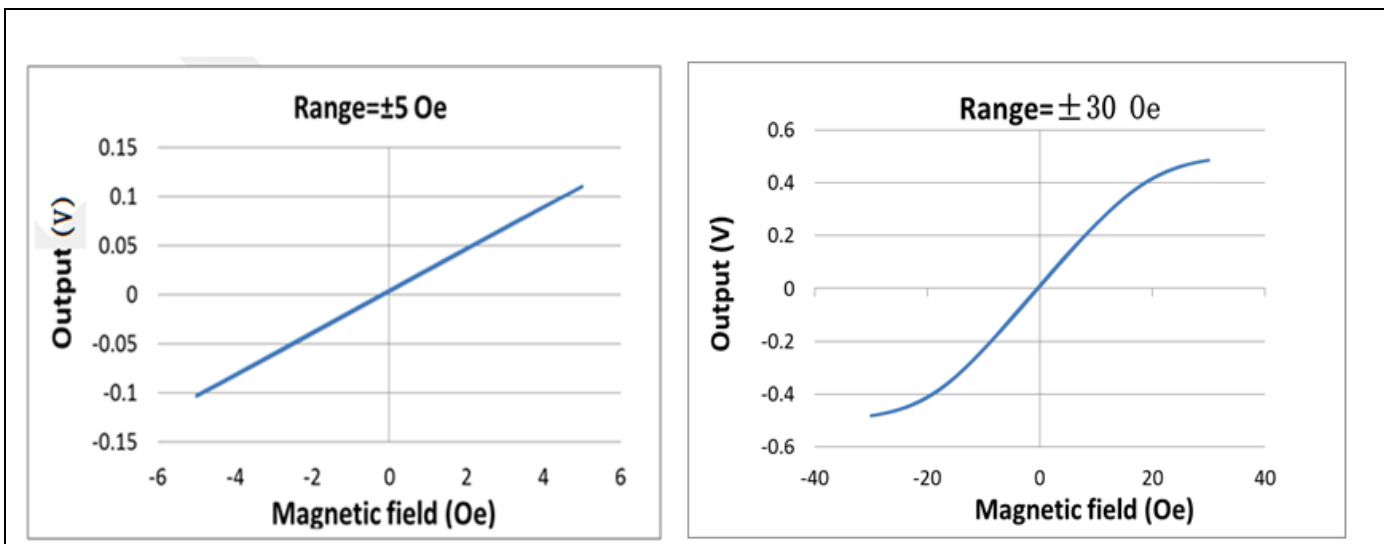
- Weak Magnetic Field Sensing
- Current Sensors
- Position and Displacement Sensing



TMR2901

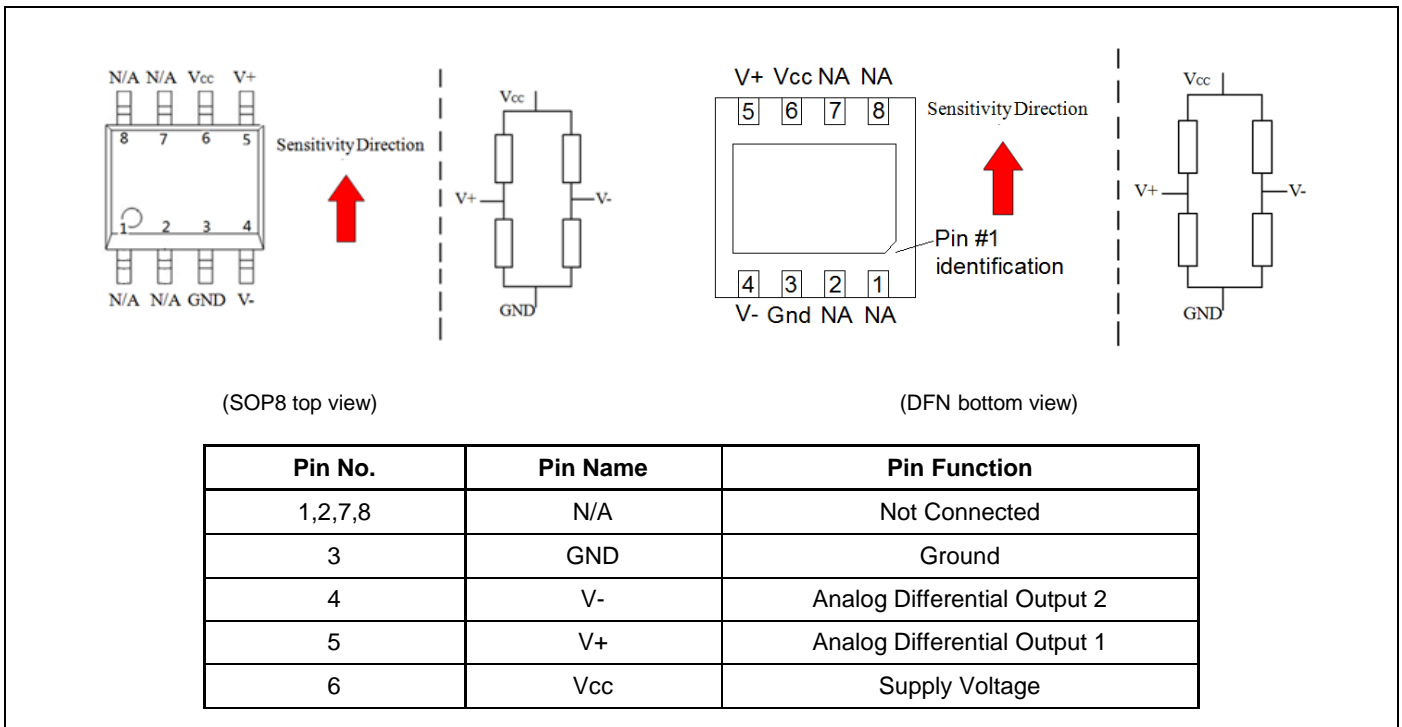
Transfer Curve

The following figure shows the response of the TMR2901 to an applied magnetic field in the range of ±5 Oe and ±30 Oe when the TMR2901 is biased at 1V.



Pin Configuration

(Arrow indicates direction of applied field that generates a positive output voltage.)



Absolute Maximum Ratings

Parameter	Symbol	Limit	Unit
Supply Voltage	V_{CC}	7	V
Reverse Supply Voltage	V_{RCC}	7	V
Max Exposed Field	H_E	4000	Oe ⁽¹⁾
ESD Voltage	V_{ESD}	4000	V
Operating Temperature	T_A	-40~125	°C
Storage Temperature	T_{stg}	-50 ~150	°C

Specification ($V_{CC}=1.0V$, $T_A=25^{\circ}C$, Differential Output)

Parameter	Symbol	Conditions	Min	Typ	Max	Unit
Supply Voltage	V_{CC}	Operating		1	7	V
Supply Current	I_{CC}	Output Open		0.1 ⁽²⁾		mA
Resistance	R		7	45, 9	10	KOhm
Sensitivity	SEN	Fit @ ± 1 Oe	20	25	27	mV/V/Oe
Saturation Field	H_{sat}			± 20		Oe
Non-Linearity	NONL	Fit @ ± 1 Oe		0.3		%FS
Offset Voltage	V_{offset}		-10		10	mV/V
Hysteresis	Hys	Fit @ ± 1 Oe			0.2	Oe
Temperature Coefficient of Resistance	TCR	$H = 0$ Oe		-500		PPM/°C
Temperature Coefficient of Sensitivity	TCS			-1100		PPM/°C
Self Noise	N_i	@1Hz		2		nT/√Hz

Notes:

(1) 1 Oe (Oersted) = 1 Gauss in air = 0.1 millitesla = 79.8 A/m.

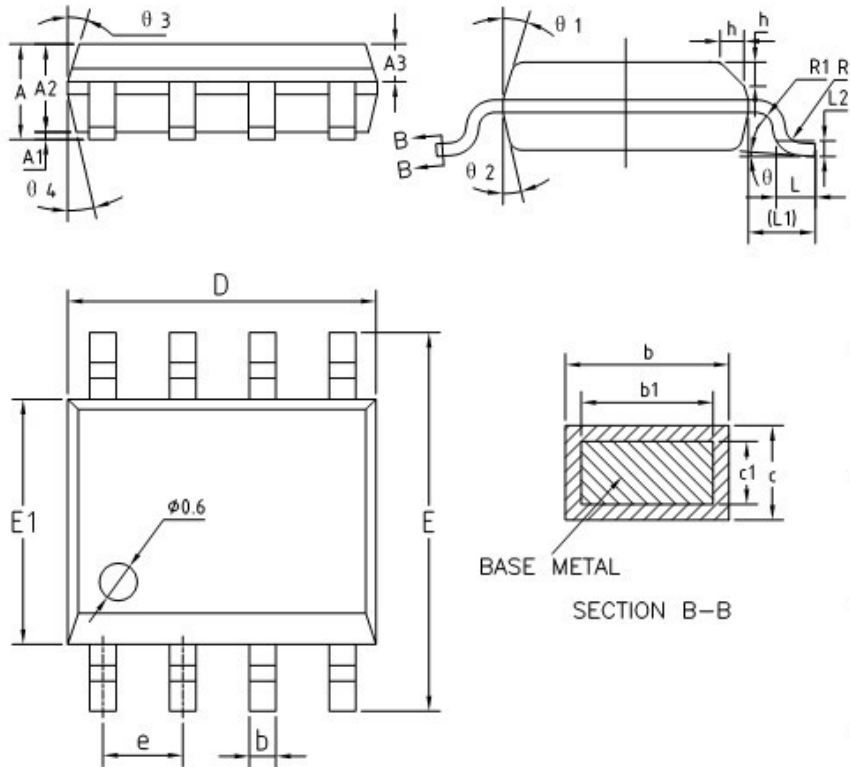
(2) Custom resistance may be available upon request.

Package Information

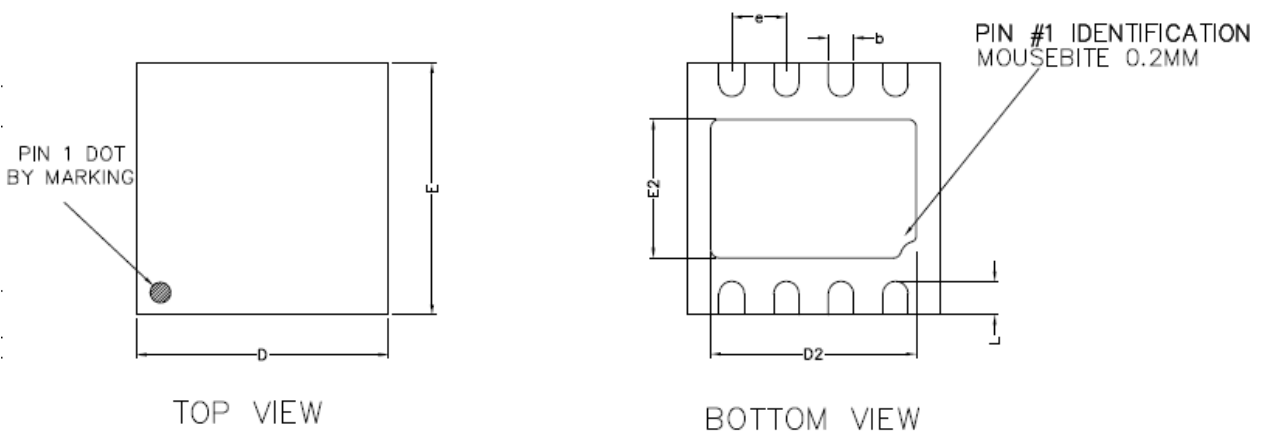
SOP8 package drawing:

COMMON DIMENSIONS
(UNITS OF MEASURE=MILLIMETER)

SYMBOL	MIN	NOM	MAX
A	1.35	1.55	1.75
A1	0.10	0.15	0.25
A2	1.25	1.40	1.65
A3	0.50	0.60	0.70
b	0.38	-	0.51
b1	0.37	0.42	0.47
c	0.18	-	0.25
c1	0.17	0.20	0.23
D	4.80	4.90	5.00
E	5.80	6.00	6.20
E1	3.80	3.90	4.00
e	1.17	1.27	1.37
L	0.45	0.60	0.80
L1	1.04REF		
L2	0.25BSC		
R	0.07	-	-
R1	0.07	-	-
h	0.30	0.40	0.50
θ	0°	-	8°
θ 1	15°	17°	19°
θ 2	11°	13°	15°
θ 3	15°	17°	19°
θ 4	11°	13°	15°

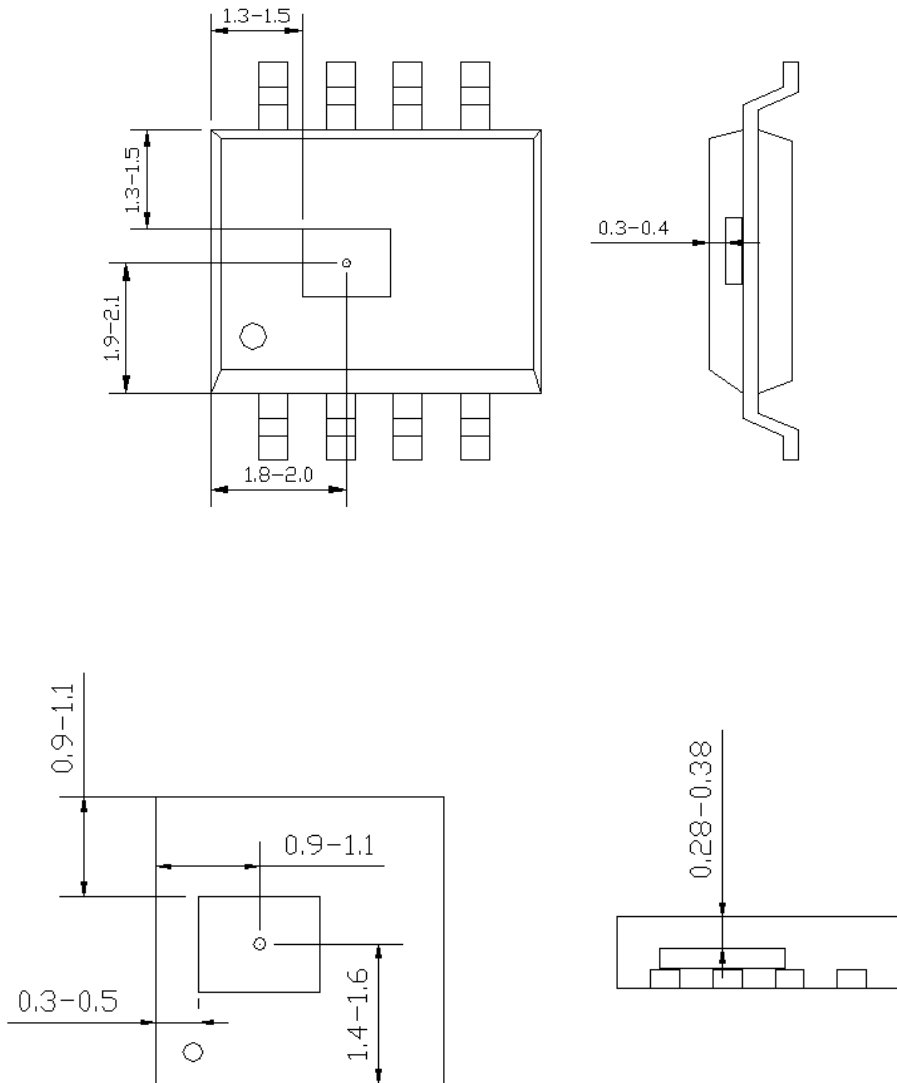


DFN package drawing:



COMMON DIMENSIONS(MM)			
PKG.	DFN 8L (3X3)		
REF.	MIN.	NOM.	MAX.
A	0.70	0.75	0.80
A1	0.00		0.05
A3	0.2 REF.		
D	2.95	3.00	3.05
E	2.95	3.00	3.05
b	0.25	0.30	0.35
L	0.30	0.40	0.50
D2	2.30	2.45	2.55
E2	1.50	1.65	1.75
e	0.65 BSC		

TMR Sensor Position



Top view and side view (unit:mm)



American Electronic Components Inc.

1101 Lafayette Street, Elkhart, Indiana 46516, United States of America.

Web: www.aecensors.com Email: sales@aecensors.com

Toll: 888 847 6552, Tel: +1 574 293 8013

The information provided herein by MultiDimension Technology Co., Ltd. (hereinafter MultiDimension) is believed to be accurate and reliable. Publication neither conveys nor implies any license under patent or other industrial or intellectual property rights. MultiDimension reserves the right to make changes to product specifications for the purpose of improving product quality, reliability, and functionality. MultiDimension does not assume any liability arising out of the application and use of its products. MultiDimension's customers using or selling this product for use in appliances, devices, or systems where malfunction can reasonably be expected to result in personal injury do so at their own risk and agree to fully indemnify MultiDimension for any damages resulting from such applications.