



- Ultra miniature - only 16 x 11 x 11.5mm
- Up to 5A /24VDC rating
- DIL Pitch PCB mounting
- Cost effective



ROHS Compliant

Contacts

Contact arrangement	SPDT (1 Changeover); 1 Form C	
Contact material	AgNi0.15; AgNi0.15 + Au plated	
Max. switching voltage	AC/DC	120VAC, 24VDC
Min. switching current / voltage	5mA / 6VDC (Au plated)	
Rated load	AC1	1A (Au plated), 3A, 120VAC (0.2 / 0.36W Coil); 5A, 120VAC (0.45W Coil)
	DC1	1A (Au plated), 3A, 24VDC (0.2/0.36W Coil); 5A, 24VDC (0.45W Coil)
Initial resistance	100mΩ max. at 100mA/6VDC (IEC61810-7)	

Coil

Rated voltage	DC	3...24V
Must release voltage	≥0.1U _n	
Operating range	See tables 1, 2 & 3	
Rated power consumption	DC	0.2W (table 1) / 0.36W (table 2) / 0.5W (table 3)

Insulation

Insulation resistance	100MΩ at 500VDC, 50%RH	
Dielectric strength	coil to contact	1250Vrms, 1min
	contact to contact	500Vrms, 1min/750Vrms, 1min 0.45W coil version

General Data

Operating time	typ.	5ms
Release time	typ.	5ms
Electrical life	ops.	1 x 10 ⁵
Mechanical life	ops.	1 x 10 ⁷

Environmental

Ambient temperature	operating	-25 to +55°C
	storage	-25 to +55°C
Shock resistance	functional	10g, 11ms
	destructive	100g
Vibration resistance	DA 1.5mm 10-55Hz	
Dimensions	L x W x H	16 x 11 x 11.5mm
Weight	approx.	4g

Ordering Code

D T C 0 - 2 3 1 1 - 3 5 - 1 0 2 4 - 1

Series

Footprint

0: Standard
0B: Alternate

Contact material

20: AgNi0.15
23: AgNi0.15 + Au plated

Contact arrangement

11: SPDT (1 C/O)

Environmental protection

2: In cover, flux tight - IP40
3: In cover, dust cover - IP67

Mounting & terminations

5: For PCB

Contact current rating

1: 1A (recommended with AgNi0.15 +Au plated contacts), 3A max.
3: 3A (with AgNi0.15 contacts)
5: 5A (450mW Coil Table 3 only) Not suitable for AgNi0.15 + Au

Coil code:

See tables
1, 2 & 3

Coil Data (200mW)

Table 1

Coil code	Nominal voltage (VDC)	Coil Resistance (Ω) $\pm 10\%$	Must operate voltage max. (VDC)	Must release voltage min. (VDC)
S003	3	45	2.25	0.3
S005	5	120	3.75	0.5
S006	6	180	4.50	0.6
S009	9	440	6.85	0.9
S012	12	700	9.00	1.2
S024	24	2800	18.00	2.4

Coil Data (360mW) - Standard

Table 2

Coil code	Nominal voltage (VDC)	Coil Resistance (Ω) $\pm 10\%$	Must operate voltage max. (VDC)	Must release voltage min. (VDC)
1003	3	25	2.25	0.3
1005	5	70	3.75	0.5
1006	6	100	4.50	0.6
1009	9	220	6.85	0.9
1012	12	400	9.00	1.2
1024	24	1600	18.00	2.4

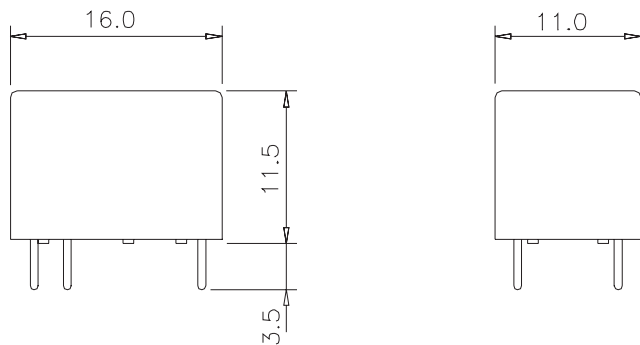
Coil Data (450mW - 5A Contacts)

Table 3

Coil code	Nominal voltage (VDC)	Coil Resistance (Ω) $\pm 10\%$	Must operate voltage max. (VDC)	Must release voltage min. (VDC)
H003	3	20	2.25	0.3
H005	5	56	3.75	0.5
H006	6	80	4.50	0.6
H009	9	180	6.85	0.9
H012	12	320	9.00	1.2
H024	24	1280	18.00	2.4

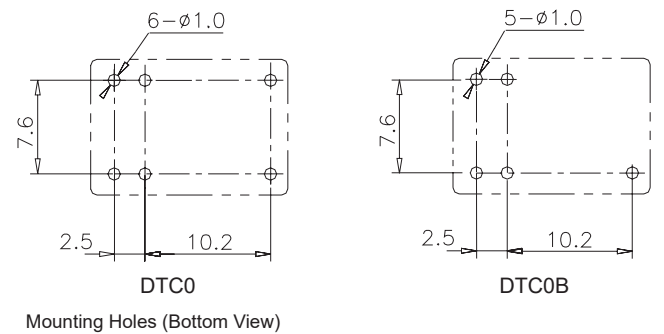
Overall Dimensions mm

Fig. 1



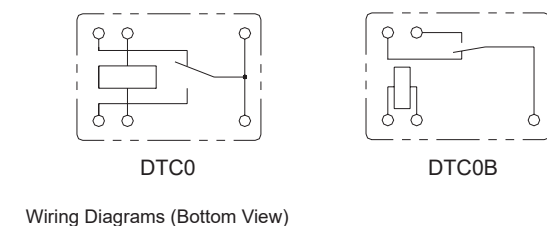
PCB Mounting Dimensions mm

Fig. 2



Wiring Diagrams mm (bottom view)

Fig. 3



Reference Curves

Fig. 4

