



- Ultra miniature - only 12.5 x 7.5 x 10mm
- Up to 1A /30VDC rating
- DIL Pitch PCB mounting
- Cost effective



Contacts

Contact arrangement	SPDT (1 Changeover); 1 Form C	
Contact material	AgNi0.15 + Au plated (0.2um)	
Max. switching voltage	AC/DC	125VAC, 60VDC
Min. switching current / voltage	5mA/6VDC	
Rated load	AC1	0.5A, 125VAC
	DC1	1A , 30VDC
Max. switching power	62.5VA / 30W	
Max. switching current	1A	
Initial resistance	≤ 100mΩ, max. at 0.1A/6VDC (IEC61810-7)	

Coil

Rated voltage	DC	1.5...24V
Must release voltage	≥0.1U _n	
Operating range	See table 1	
Rated power consumption	DC	0.15W

Insulation

Insulation resistance	≥1000MΩ at 500VDC, 50%RH	
Dielectric strength	coil to contact	1000Vrms, 1min, 50Hz
	contact to contact	400Vrms, 1min, 50Hz

General Data

Operating time	typ.	< 5ms
Release time	typ.	< 5ms
Electrical life	ops.	1 x 10 ⁵
Mechanical life	ops.	5 x 10 ⁶

Environmental

Ambient temperature	operating	-30 to 70°C
	storage	-30 to 70°C
Shock resistance	functional	10g, 11ms
	destructive	100g
Vibration resistance	DA 3.3mm 10-55Hz	
Dimensions	L x W x H	12.5 x 7.5 x 10mm
Weight	approx.	≤ 2.2g

Ordering Code

D T C 1 - 2 3 1 1 - 3 5 - S 0 2 4

Series

Coil code:

See table 1

Contact material

23: AgNi0.15 +
Au plated (0.2um)

Contact arrangement

11: SPDT (1 C/O)

Environmental protection

3: In cover, sealed - IP67

Mounting & terminations

5: For PCB

M: For PCB, Surface mount (special order)

Other versions available to special order (MOQ = 10Kpcs).

Contact factory for additional information.

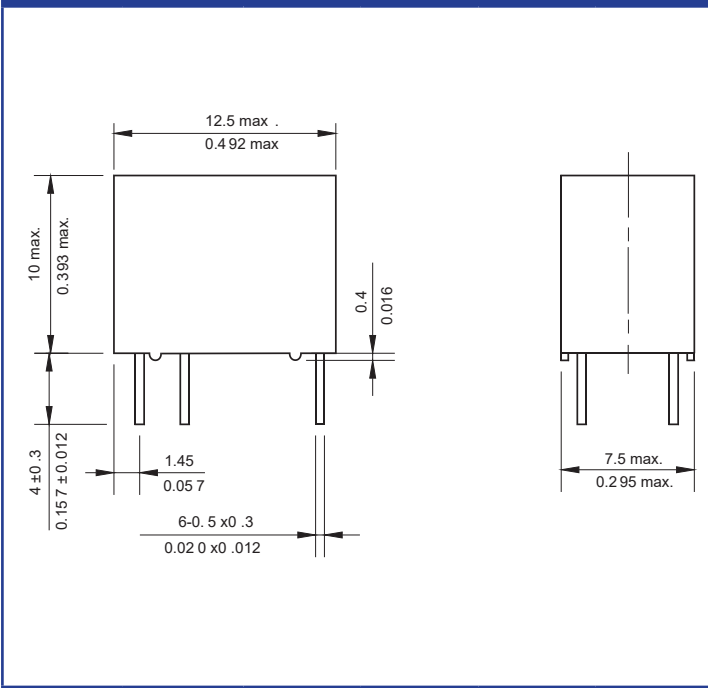
Coil Data (150mW)

Table 1

Coil code	Nominal voltage (VDC)	Max. voltage (VDC)	Coil resistance (Ω) ±10%	Must operate voltage max. (VDC)	Must release voltage min. (VDC)
S0015	1.5	3	15	1.2	0.15
S003	3	6	60	2.4	0.3
S005	5	10	167	4.0	0.5
S006	6	12	240	4.8	0.6
S009	9	18	540	7.2	0.9
S012	12	24	960	9.6	1.2
S024	24	48	3840	19.2	2.4

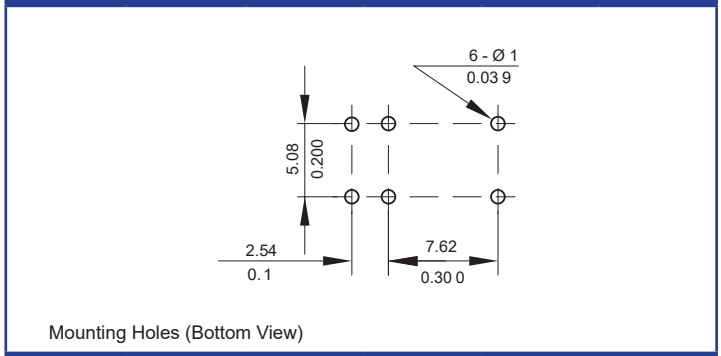
Overall Dimensions mm

Fig. 1



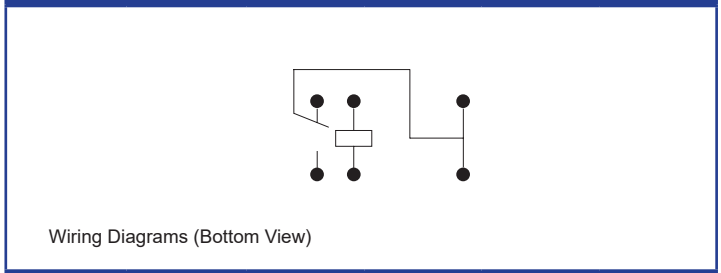
PCB Mounting Dimensions mm

Fig. 2



Wiring Diagrams mm (bottom view)

Fig. 3



Reference Curves

Fig. 4

