

Mounting rail socket SRD-SIS3

Socket for the relay series SIS 2 and SIS 3
with pin length 3,8 mm

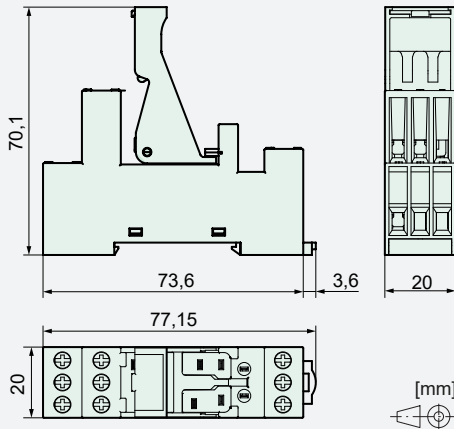


Features

- Plug-in socket with screw terminals
- For relays of the SIS 2 and SIS 3 series with 3,8 mm pin length
- With plastic retaining bracket
- Mounting on 35 mm mounting rail (IEC 60715)



Dimensions

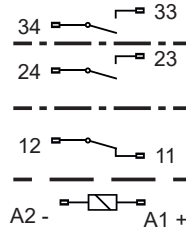


Technical Data

| | |
|------------------------------------|-------------------------|
| Limit continuous current* | 6 A |
| Rated voltage | 250 VAC |
| Connections: | |
| - Cross sections for wire | 2 x 2,5 mm ² |
| - Cross sections for stranded wire | 2 x 1,5 mm ² |
| - Torque | max. 0,8 Nm |

*note max. contact load in the relay data sheet

Circuit diagram



Insulation data

| | |
|---------------------------------|-------------------------------|
| Basic insulation | at 250 VAC |
| --- Air and creepage distance | >4 mm |
| Test voltage | 2500 V _{rms} / 1 min |
| Double or reinforced insulation | at 250 VAC |
| --- Air and creepage distance | >5,5 mm |
| Test voltage | 4000 V _{rms} / 1 min |
| Creepage resistance | CTI 250 |
| Pollution degree | 2 |
| Overvoltage category | III |

Additional data

| | |
|---------------------|-----------------|
| Weight | approx. 45 g |
| Ambient temperature | -25°C ... +70°C |

Tests, regulations, standards

| | |
|---|---------------------|
| Approvals | UL, cULus |
| UL File | E238167 |
| Insulation group according to IEC 60664-1 | 250 VAC |
| Standards | IEC 61810-1, UL 508 |

Options, Accessories

| | |
|--------------------------------|--|
| Display and protection modules | SRD-SGR2-M01, SRD-SGR-M03, SRD-SGR-M05 |
|--------------------------------|--|

Mounting instructions

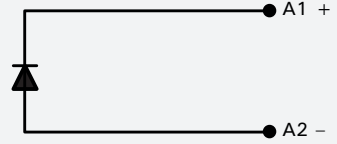
| | |
|----------|------------------------------------|
| Mounting | on 35 mm mounting rail (IEC 60715) |
|----------|------------------------------------|

Product key

| | SRD | SIS3 |
|--------------|-----|------|
| Socket type | | |
| Relay series | | |

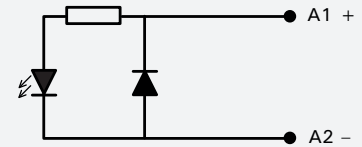
Module SRD-SGR2-M01

- For mounting rail socket SRD-SGR2 and SRD-SIS3
- Integrated freewheeling diode
- Suitable for 6 VDC to 230 VDC (+ at terminal A1)



Module SRD-SGR2-M03

- For mounting rail socket SRD-SGR2 and SRD-SIS3
- Integrated freewheeling diode
- Green LED with current limiting resistor
- Suitable for 6 VDC to 24 VDC(+ at terminal A1)



Module SRD-SGR2-M05

- For mounting rail socket SRD-SGR2 and SRD-SIS3
- Green LED and reverse polarity protection
- Suitable for 6 VDC to 24 VDC (+ at terminal A1)

