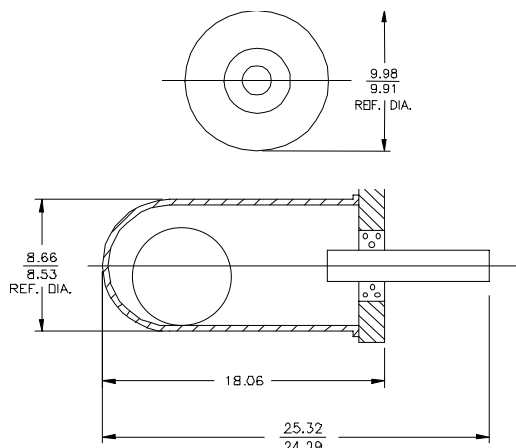


Part No: 20242 - A1 Series Tilt Switch – Non Mercury



- Features:**
- * RoHS Compliant
 - * Un-Insulated
 - * Form: NO/NC/SPST/Mount dependent
 - * Angles Referenced from Horizontal
 - * Single Electrode
 - * Hermetically Sealed
 - * Small Package Size
 - * Narrow Included Angle
 - * Long Life



Drawing dimensions in millimeters.

Tilt switches “make” when the electrode is tilted below horizontal and “break” when tilted above the horizontal. Total travel from “make” to “break” is the “Maximum included angle” shown below. The component to which the switch is attached must have a total tilt angle greater than the “Maximum included angle” for proper operation.

Typical Operating Angle * :	8° - 12°
Maximum included Angle:	
	* Make/break angles are electrode + (above) / - (below) 0° horizontal reference
Switch Ratings:	
Max Switching Voltage:	120V
Max Switching Current:	100 mA @ 12 VDC
Initial Contact Resistance (Max):	150 milli Ohms
Stand Off Voltage (contact to contact):	1 kV AC
Operating Temperature:	-38° to 220° F / -38° to 105° C
Storage Temperature:	-40° to 356° F / -40° to 180° C
Typical number of operations at specified load:	10,000,000
G-Force Activation G-Level/Range:	N/A
Dimensions:	
Weight per 100pcs. Lbs / Kgs:	1.10 / 0.50
Body Length (less leads). Inches / Millimeters:	0.71 / 18.06
Maximum Diameter. Inches / Millimeters:	0.39 / 9.98
Materials:	
Lead Wire Type:	N/A
Lead wire length/skive/termination:	N/A
Finish:	Tin



© American Electronic Components Inc 2006

American Electronic Components Inc.,
 1101 Lafayette Street, Elkhart, Indiana. USA
 Tel: +1-574-295-6330 Fax: +1-574-293-8013
 Email: sales@aecensors.com
<http://www.aecensors.com>