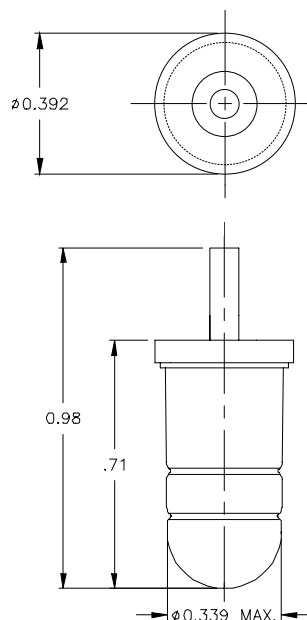


# Part No: 3018 - A1 Series Tilt Switch - Mercury



- Features:**
- \* Un-Insulated
  - \* Form: NO/NC/SPST/Mount dependent
  - \* Anti-Vibration Tilt Switch
  - \* Angles are application dependent
  - \* Single Electrode
  - \* Hermetically Sealed
  - \* Small Package Size
  - \* High Current Capability
  - \* Low Contact Resistance
  - \* Long Life



Drawing dimensions in inches.

Tilt switches "make" when the electrode is tilted below horizontal and "break" when tilted above the horizontal. Total travel from "make" to "break" is the "Maximum included angle" shown below. The component to which the switch is attached must have a total tilt angle greater than the "Maximum included angle" for proper operation.

Must Make / Break Angle * :	
Maximum included Angle:	Application dependent
	* Make/break angles are electrode + (above) / - (below) 0° horizontal reference
<b>Switch Ratings:</b>	
Max Switching Voltage	240V
Max Switching Current	120VAC / 1A, 240VAC / 0.7A : 120VDC / 0.5A, 240VDC / 0.4A : Tungsten 240V / 100W
Initial Contact Resistance (Max).	600 milli Ohms
Stand Off Voltage (contact to contact)	1 kV AC
Operating Temperature	-38° to 220°F / -38° to 105°C
Storage Temperature	-40° to 356°F / -40° to 180° C
Typical number of operations at specified load	10,000,000
G-Force Activation G-Level/Range	N/A
<b>Dimensions:</b>	
Weight per 100pcs. Lbs / Kgs:	1.10 / 0.50
Body Length (less leads). Inches / Millimeters:	0.71 / 18.06
Maximum Diameter. Inches / Millimeters:	0.39 / 9.91
<b>Materials:</b>	
Lead Wire Type	N/A
Lead wire length/skive/termination	N/A
Finish:	



© American Electronic Components Inc 2006

**American Electronic Components Inc.,**  
 1101 Lafayette Street, Elkhart, Indiana. USA  
 Tel: +1-574-295-6330 Fax: +1-574-293-8013  
 Email: [sales@aecsensors.com](mailto:sales@aecsensors.com)  
<http://www.aecsensors.com>