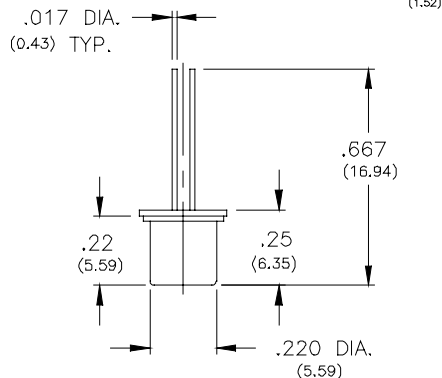
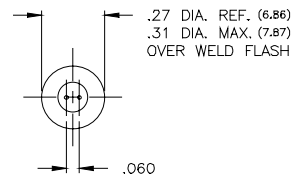


Part No: 4770 A1/2S Series Tip Over Switch – Mercury



- Features:**
- * Un-Insulated
 - * Form: NC/SPST/ Electrodes down
 - * Angles Referenced from vertical
 - * Double Electrode
 - * Hermetically Sealed
 - * Small Package Size
 - * Low Contact Resistance
 - * Long Life



Drawing dimensions in inches and (millimeters).

	0°	90°
	OPERATING ANGLE	OPERATING ANGLE
OPEN	15° – 85°	30° – 130°
CLOSED	15° – 85°	20° – 130°

Shown in normally closed position.
Tip over switches "break" when the electrode is tilted from the vertical and "make" when returned to the vertical.

Must Make / Break Angle * :	As shown
Maximum included Angle:	Application Dependent
	* from vertical 0° reference
Switch Ratings:	
Max Switching Voltage:	12VDC
Max Switching Current:	0.5A
Initial Contact Resistance (Max):	3 Ohms max @ 5 VDC, 1mA
Stand Off Voltage (contact to contact):	1kV AC
Operating Temperature:	-38° to 220°F / -38° to 105°C
Storage Temperature:	-40° to 356°F / -40° to 180° C
Typical number of operations at specified load:	10,000,000
G-Force Activation G-Level/Range:	N/A
Dimensions:	
Weight per 100pcs. Lbs / Kgs:	0.33 / .015
Body Length (less leads). Inches / Millimeters:	0.25 / 6.35
Maximum Diameter. Inches / Millimeters:	0.31 / 7.87
Materials:	
Lead Wire Type:	N/A
Lead wire length/skive/termination:	0.42 / 10.59
Finish:	Nickel



© American Electronic Components Inc 2006

American Electronic Components Inc.,
1101 Lafayette Street, Elkhart, Indiana. USA
Tel: +1-574-295-6330 Fax: +1-574-293-8013
Email: sales@aecensors.com
<http://www.aecensors.com>