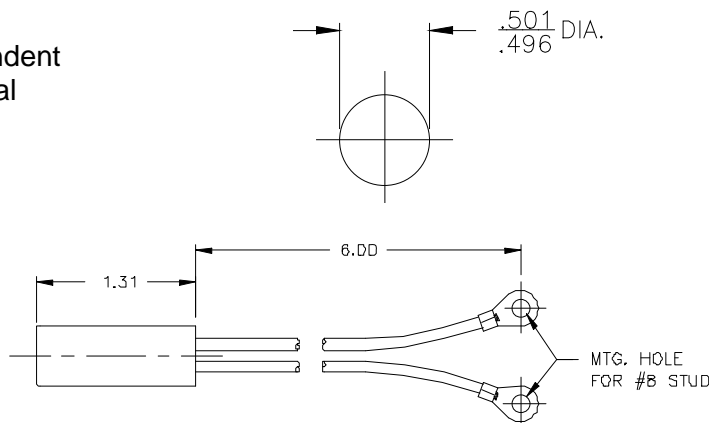


A1 Series / Part No: A1-003

Tilt Switch / Mercury



- Features:**
- * Insulated
 - * Form: NO/NC/SPST/Mount dependent
 - * Angles Referenced from Horizontal
 - * Hermetically Sealed
 - * Small Package Size
 - * Narrow Included Angle
 - * Low Contact Resistance
 - * Long Life



Drawing dimensions in inches.

Tilt switches "make" when the electrode is tilted below horizontal and "break" when tilted above the horizontal. Total travel from "make" to "break" is the "Maximum included angle" shown below. The component to which the switch is attached must have a total tilt angle greater than the "Maximum included angle" for proper operation.

Typical Operating Angle * :	8° - 12°
Maximum included Angle:	
	* Make/break angles are electrode + (above) / - (below) 0° horizontal reference
Switch Ratings:	
Max Switching Voltage:	120VAC / 24VDC
Max Switching Current:	120VAC / 5A; 12VDC / 3A; 24VDC / 2A
Initial Contact Resistance (Max):	100 milli Ohms
Stand Off Voltage (contact to contact):	1 kV AC
Operating Temperature:	-38° to 220° F / -38° to 105° C
Storage Temperature:	-40° to 356° F / -40° to 180° C
Typical number of operations at specified load:	10,000,000
G-Force Activation G-Level/Range:	N/A
Dimensions:	
Weight per 100pcs. Lbs / Kgs:	3.04 / 1.38
Body Length (less leads). Inches / Millimeters:	1.31 / 33.27
Maximum Diameter. Inches / Millimeters:	0.501 / 12.73
Materials:	
Lead Wire Type:	#20 AWG Silicone
Lead wire length/skive/termination:	6 inches, ring terminals for #8 screw
Finish:	Case: PBT (30% Glass Filled)
Clip:	Use P/N 2023 Mounting Clip



© American Electronic Components Inc 2006

American Electronic Components Inc.,
 1101 Lafayette Street, Elkhart, Indiana. USA
 Tel: +1-574-295-6330 Fax: +1-574-293-8013
 Email: sales@aecensors.com
<http://www.aecensors.com>