

DS-120

tilt sensor / tilt switch



- Non-mercury Tilt Switch/Sensor.
- Switching/sensing of tilt in mechanical linkages.
- Suitable for digital logic inputs or LED's.
- May be used to operate a relay (with suitable protection).

Contacts

Contact number & arrangement	SPST-NO (1 N/O), 1 Form A	
Contact material	Ruthenium	
Max. switching voltage	DC	48V
Rated load	W	10W
Maximum switching current	mA	400mA
Operating Angle	Operate	less than -10° (refer to Fig.3)
	Release	less than +10° (refer to Fig. 3)

General Data

Housing		
	Material	ABS
	Color	Black
	Sealing	IP65
Dimensions	inches	Refer to Figs. 1 & 2
Lead cable		
	Length	inches (mm) 2 x 4.25" (108mm)
	Termination	Skived end
	Type	20AWG XLPE (automotive grade)
	Color	Black
Weight	0.036 pounds (16.3 grams)	
Ambient temperature		
	Storage	°C -40°C ~ +85°C
	Operating	°C -40°C ~ +85°C
Shock resistance	G	30G for 11ms, half sine.
Vibration resistance	G	3 axis @ 4G. 5-500Hz for 3hrs.



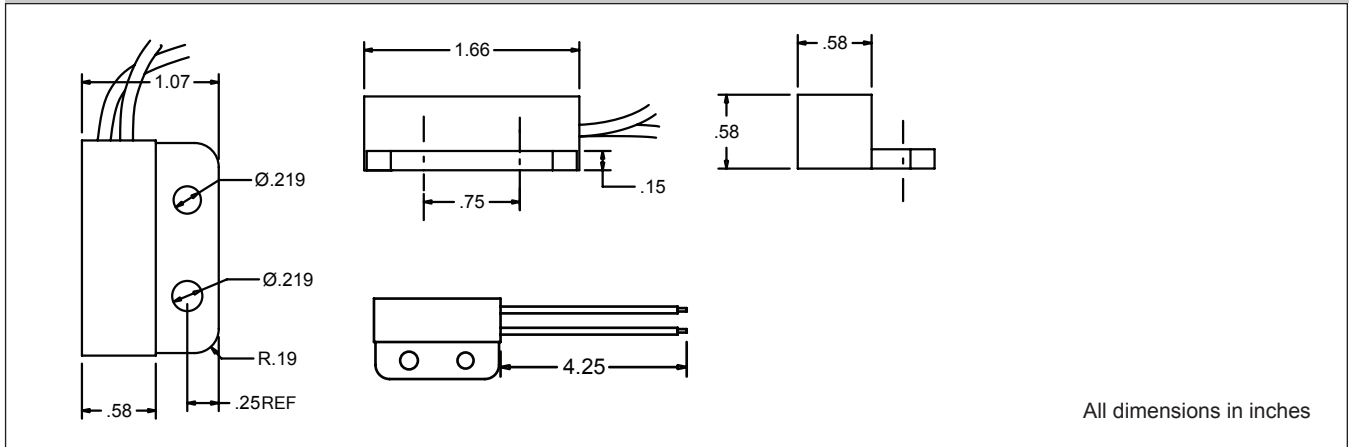
DS-120

tilt sensor / tilt switch



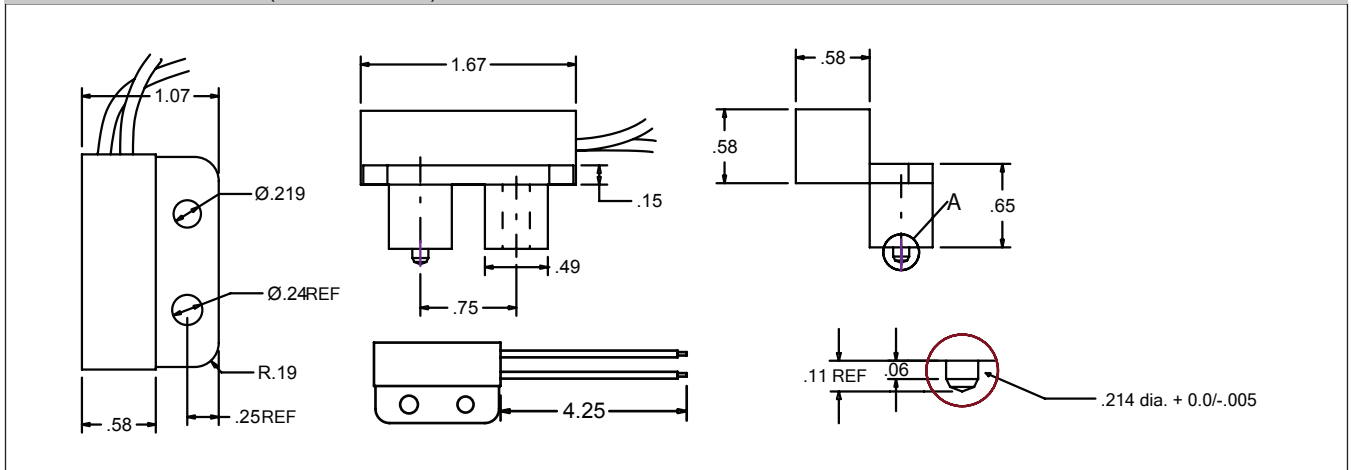
Dimensions: DS-120-A (no stand-offs)

Fig. 1



Dimensions: DS-120-B (with stand-offs)

Fig. 2



Mounting & Method of Operation

Fig. 3

